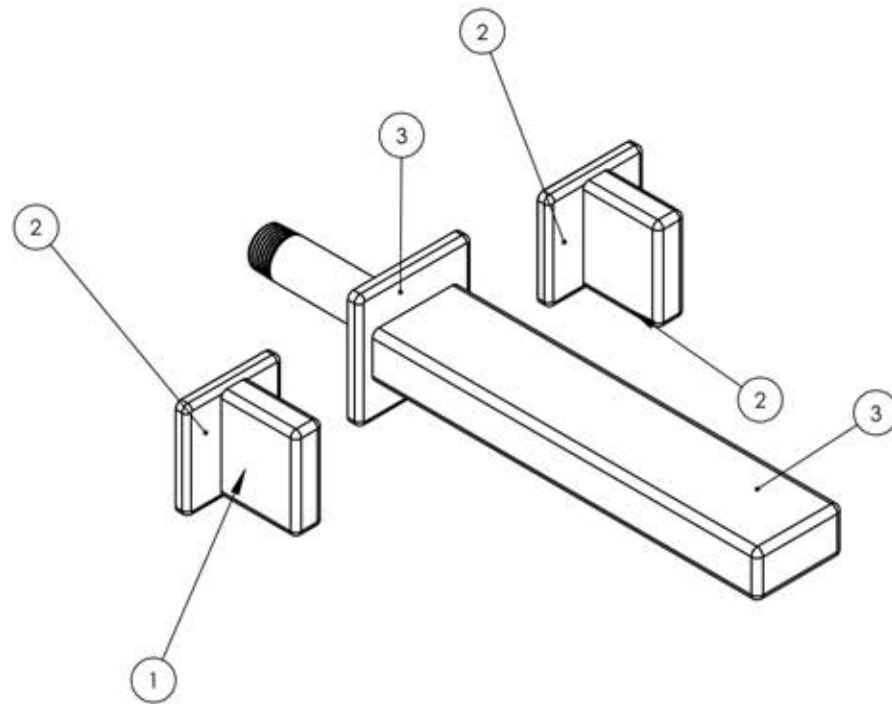


A

B

C

D



ITEM NO.	PART NUMBER	DESCRIPTION	QTY.
1	11003	SLEEVE MOUNT, WALL MT WIDESPREAD	2
2	3-101/00	ASSY. HANDLE BLADE MIX	2
	10932/00	ESCUTCHEON, HANDLE MIX SERIES	1
	10923/00	HANDLE, BLADE MIX SERIES	1
	92176	WEAR WASHER	2
	92005	SET SCREW, CUP PT 6-32UNC THREAD 3/16"L	1
	92177	RETAINING RING, 7/16" SHAFT	1
3	3-118/00	SPOUT ASSY., WALL LAV, MIX SERIES	1
	10934/00	ESCUTCHEON, SPOUT RT MIX SERIES	1
	92158	DOWEL PIN, 1/8" X 3/8"L	2
	90131	O-RING, 1-11/16ID X 3/32THK, AS-568-131	1
	11000/00	SPOUT, WALL MOUNT	1
	10013	INJECTOR SHANK, 1/2"NPT MALE TO M16.5 CACHE W/ O-SEAL	1
	90016	O-RING, 5/8"ID X 3/4"OD X 1/16"THK, AS-568-016	3
	11234	EXTENSION 1/2"-NPT FOR INJECTOR SHANK	1
	92008	SET SCREW, CUP POINT 8-32	2
	10560	AERATOR, PCA CACHE 1.5GPM, M24X1.0 GREEN	1

E

ZONE	REV.	DESCRIPTION	DATE	APPROVED
------	------	-------------	------	----------

REVISIONS

1261 LOGAN AVENUE
COSTA MESA, CALIFORNIA 92626
PHONE: 714.361.4800
FAX: 714.617.3120

PHYLORICH®

Defining Luxury Since 1959

PROPRIETARY AND CONFIDENTIAL

THE INFORMATION CONTAINED IN THIS DRAWING IS THE SOLE PROPERTY OF R3S MANUFACTURING. ANY REPRODUCTION IN PART OR AS A WHOLE WITHOUT THE WRITTEN PERMISSION OF R3S MANUFACTURING IS PROHIBITED.

-	-	INTERPRET GEOMETRIC DIMENSIONING & TOLERANCING IN ACCORDANCE WITH ASME Y14.5-2009 & ASME Y14.41-2003 STANDARDS, UNLESS OTHERWISE SPECIFIED. DIMENSIONS ARE IN INCHES. TOLERANCES ARE:				
NEXT ASSY	USED ON	FRACTIONS ±1/64"	DECIMALS X.X: ±.1 X.XX: ±.01 X.XXX: ±.005	ANGULAR ±.5°	SIZE	ASM/PRT NO.
APPLICATION		MATERIAL	NAME	DATE	A	REV
FINISH		DRAWN	CHECKED	SCALE: 1:3		WEIGHT: lbs.
DO NOT SCALE DRAWING						

5

4

3

2

1